

Slate

Bath Shower Mixer

Article no.: 6510000
Finish: Chrome
Series: Slate

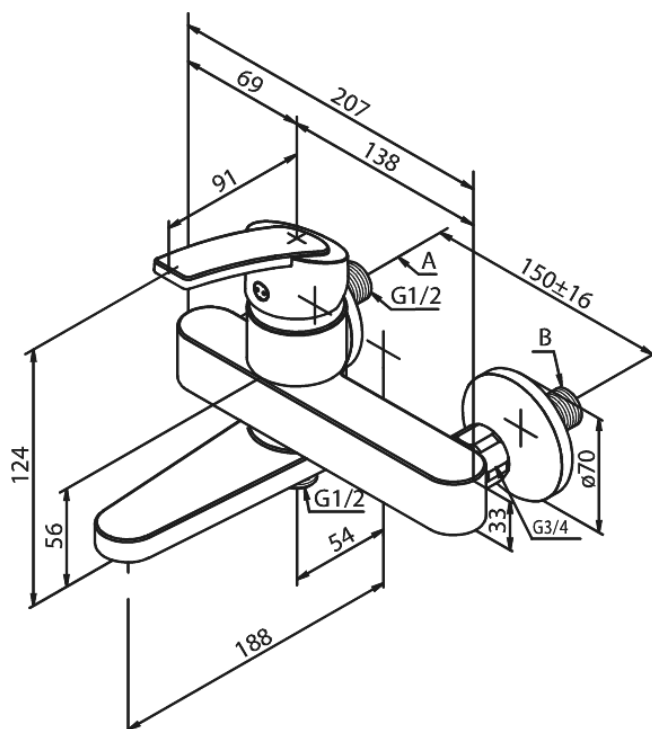
EAN no.: 5708516822028



Standard features:

- Ceramic cartridge
- Rub-clean aerator
- Scalding protection (38°C)
- Water consumption max.23/13 l/min
- Eco-Save water saving feature
- Standard 150mm centres
- With wall plates & eccentric unions
- Diverts automatically when spout is folded away
- 1/2" connection for hand shower hose

Product features



FM Mattsson Mora Group Denmark
Abildager 26 A, 2605 Brøndby, Denmark
Østbirkvej 2, 5240 Odense NØ, Denmark

+45 88 33 00 34 damixa-international@fmm-mora.com

Mere information på www.damixa.com

damixa